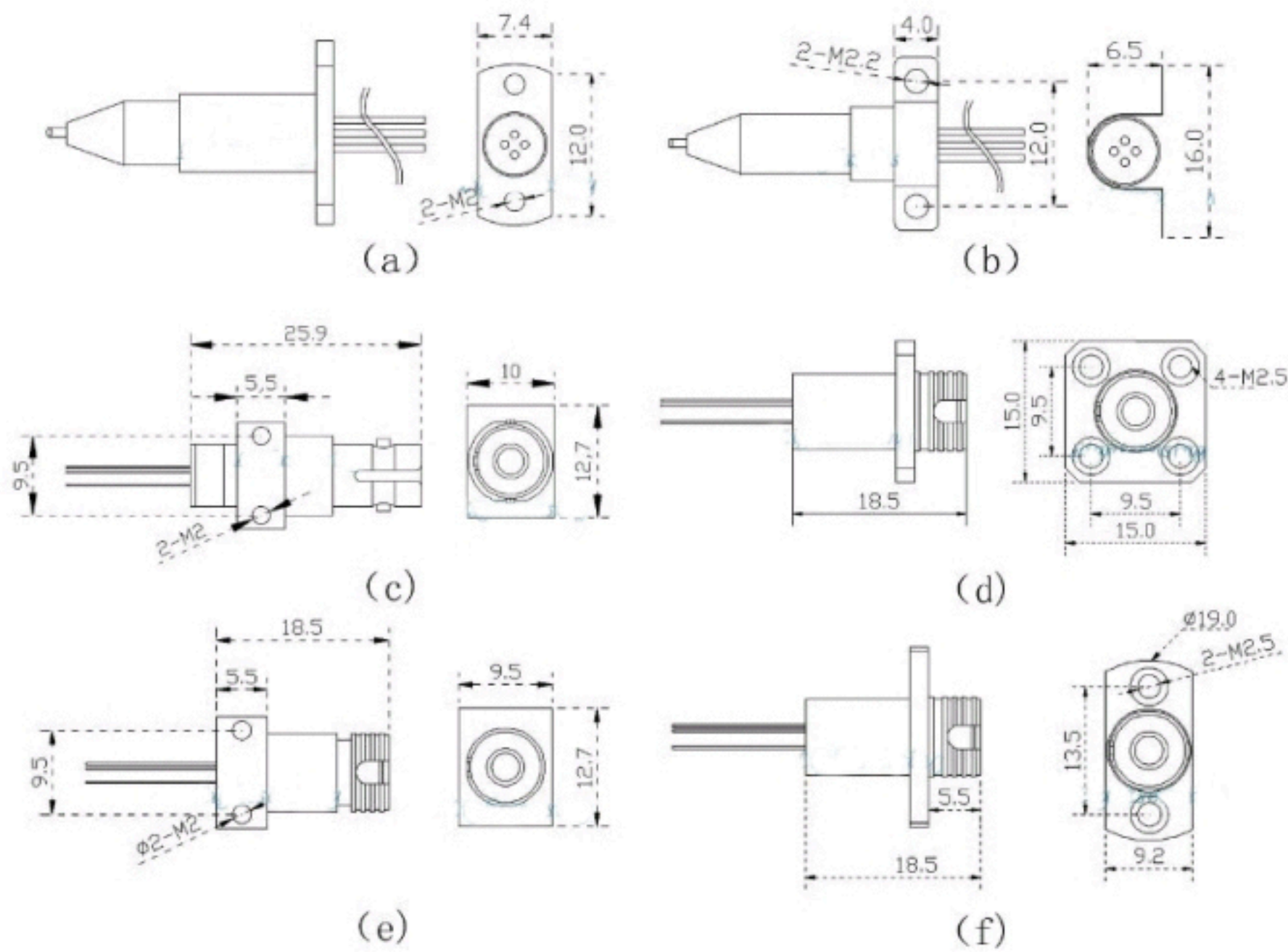


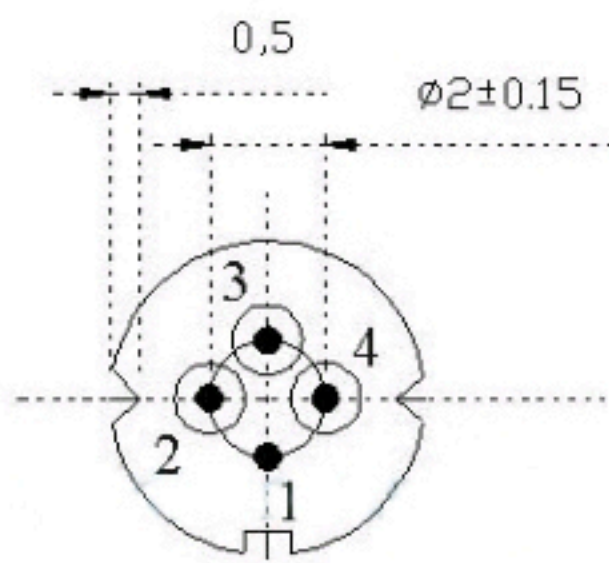
## The package Dimensions



## PIN description

## PIN OUT

Bottom View



|   | F type     | S type      |
|---|------------|-------------|
| 1 | LD(+)/case | case        |
| 2 | LD(-)      | LD(-)       |
| 3 | PD(-)      | PD(+)       |
| 4 | PD(+)      | LD(+)/PD(-) |

## Order information

LSDLD155-X-X-X-X-X

| mW    | Pin out    | Isolator   | Rate         | X=a      |   |
|-------|------------|------------|--------------|----------|---|
| X=0.5 | X=S S Type | X=0 NO     | X=1 1.25Gbps | X=b      | a package with SM Fiber with FC/UPC or FC/APC |
| X=2   | X=F F Type | X=1 Single | X=2 2.5Gbps  | X=cJKST  | b package with SM Fiber with FC/UPC or FC/APC |
| X=4   |            | X=2 Double | Other        | X=dJKFC  | c package with ST receptacle                  |
| Other |            |            |              | X=e JKFC | d package with FC receptacle                  |
|       |            |            |              | X=f JKFC | e package with FC receptacle                  |
|       |            |            |              | X=Other  | f package with FC receptacle                  |
|       |            |            |              |          | By customer's request                         |

## The cautions

1: The suitable ESD protection is required in storage, tran

2: The fiber bending radius no less than 20mm for avoiding fiber damaged ,Be sure the fiber coupling facet is clean before connecting it to opto-circuit.